

ELECTROMAGNETIC FLOW METER

BA SERIES - BATTERY POWERED TYPE

Flow Measurement
& Monitoring



DESCRIPTION

The Electromagnetic Flowmeters can be used to accurately measure the flowrate of liquids, paper pulp, slurry and mineral slurry which has an electrical conductivity greater than $5 \mu S/cm$. It is suitable for remote area application.

BA Series Integral Type is a flow measurement system in a compact design which integrates the primary and signal converter.

BA Series Remote Type flow measurement system consists of a flowmeter primary and remote mounted converter.

FEATURES

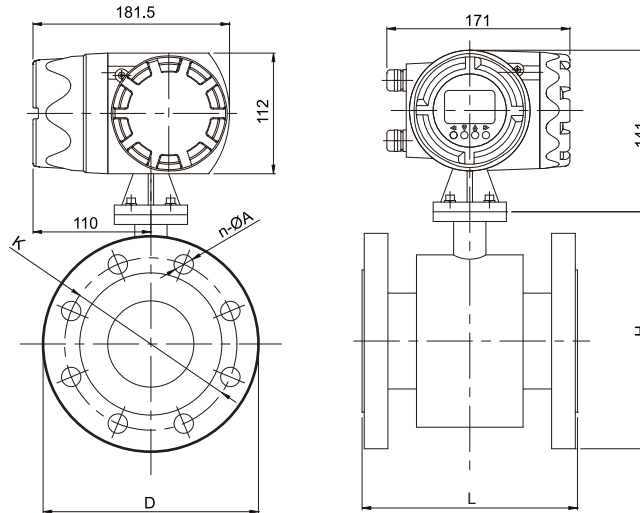
- ✓ Whole welded structure
- ✓ Good sealing performance
- ✓ Zero-point stability
- ✓ Small power consumption
- ✓ Simple and reliable, no moving parts inside; virtually no pressure loss
- ✓ Low-frequency square wave, anti-jamming performance
- ✓ User friendly, easy maintenance.

TECHNICAL FEATURES

Diameter	DN15 - DN600
Electrode	316L / Hc / Hb / Ti / Ta / Pt
Liner	Rubber / PTFE / PFA / F46
Medium	Conductive liquids
Conductivity	$\geq 5 \mu s/cm$ / Softened water $\geq 20 \mu s/cm$
Accuracy	$\pm 1\%$ M.V
Op Temperature	-20 to $80^{\circ}C$ (Compact); -20 to $120^{\circ}C$ (Remote)
Op Pressure	6 - 40 Bar (base on diameter)
Protection class	IP65, IP67
Output	None
Power supply	3.6V lithium battery
Installation type	Compact / Remote
Converter	MF820
Connection	Thread / Flange / Tri-clamp



DIMENSION/DRAWING



KF700E compact external dimensions

DN mm		Working Pressure MPa	L	D	K	n-∅A	Compact Weight (KG)	Remote Weight (KG)
25	1"							
32	1 ¼"	150	140	100	4-∅18	13	11	
40	1 ½"	150	150	110	4-∅18	14	12	
50	2"	200	165	125	4-∅18	16	14	
65	2 ½"	200	185	145	8-∅18	21	19	
80	3"	200	200	160	8-∅18	21	19	
100	4"	1.6	250	220	180	8-∅18	28	26
125	5"		250	250	210	8-∅18	30	28
150	6"		300	285	240	8-∅22	41	39
200	8"	1.0	350	340	295	8-∅22	53	51
250	10"		400	395	350	12-∅22	92	90
300	12"		500	445	400	12-∅22	110	108
350	14"		500	505	460	16-∅22	131	129
400	16"		600	565	515	16-∅26	155	153
450	18"		600	615	565	20-∅26	222	217
500	20"		600	670	620	20-∅26	239	220
600	24"		600	780	725	20-∅30	262	260

