

# ELECTROMAGNETIC FLOW METER

## FA SERIES - FLANGED TYPE

Flow Measurement  
& Monitoring



### DESCRIPTION

The FA series electromagnetic flowmeter consists of grounding electrode where grounding rings is not required. It can be used to accurately measure the flowrate of liquid-solid two phase fluids, such as sewage, paper pulp, slurry and mineral slurry which has an electrical conductivity greater than 5  $\mu\text{s/cm}$ . This type of flowmeter is practically unaffected by variation in temperature, viscosity, pressure and density. There is no pressure loss and no moving parts which will not cause additional energy losses or trapped with solid waste. With bi-directional feature, the flow indication and totalization in both directions is standard. A compact design integrates the converter and flow sensor while remote type comprises of remote mounted converter and flow sensor connecting with signal cable.

### TECHNICAL FEATURES

<b>Diameter</b>	DN10 to DN2000
<b>Electrode</b>	Hastelloy C (option : SS316L / Hb / Ti / Pt / Ta)
<b>Liner</b>	PTFE (option : Hard Rubber / F46 / PFA)
<b>Body</b>	Carbon steel (option : stainless steel)
<b>Conductivity</b>	$\geq 5\mu\text{ s/cm}$ / Softened water $\geq 20\mu\text{ s/cm}$
<b>Accuracy</b>	$\pm 0.5\%$ R.S
<b>Op temperature</b>	-20 to 80°C (Compact); -20 to 120°C (Remote)
<b>Op pressure</b>	Max 16 Bar / 10 Bar / 6 Bar (based on diameter)
<b>Protection class</b>	IP67 (compact) / IP68 (remote)
<b>Output</b>	4-20mA / Frequency / Pulse output signal
<b>Communication</b>	RS485 Modbus /HART (as option)
<b>Power supply</b>	220V AC / 24V DC
<b>Connection</b>	DIN flange PN16 / PN10 / PN6 (option : JIS 10k / ANSI 150#)
<b>Installation type</b>	Vertical / Horizontal with full-bore flow condition
<b>Converter type</b>	Compact type (integral sensor) Remote type (Non-attached sensor)
<b>Cable length</b>	Remote converter with 10 meters cable (standard)

### FEATURES

- ✓ Whole welded structure
- ✓ Good sealing performance
- ✓ Zero-point stability
- ✓ Small power consumption
- ✓ Simple and reliable, no moving parts inside; virtually no pressure loss
- ✓ Low-frequency square wave, anti-jamming performance
- ✓ User friendly, easy maintenance.
- ✓ SPAN approved product

I-SYSTEM MEASUREMENT  
[www.ismesb.com](http://www.ismesb.com)



ELECTROMAGNETIC FLOW METER  
FA SERIES - FLANGED TYPE

09-2023

I-SYSTEM

101002

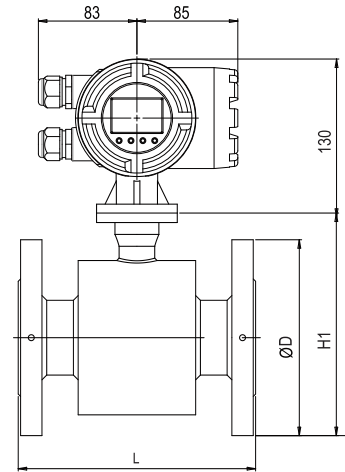
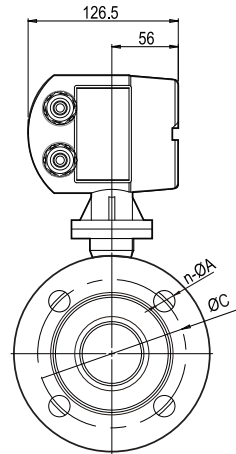
I-SYSTEM

101/002

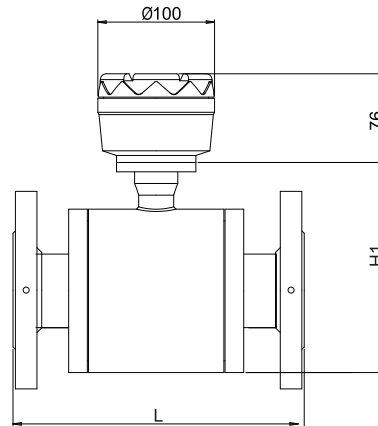
**DIMENSION/DRAWING**



**Compact Type**



**Remote Type**



**DIMENSION/DRAWING**

DN mm	Working Pressure MPa	L	D	C	n-øA	H1	Compact Weight (KG)	Remote Weight (KG)
10	4.0	150	90	60	4-ø14	130	6	4
15		150	95	65	4-ø14	132.5	6	4
20		150	105	75	4-ø14	137.5	8	6
25		150	115	85	4-ø14	145	9	7
32		150	140	100	4-ø18	162.5	11	12
40		150	150	110	4-ø18	172.5	13	14
50		200	165	125	4-ø18	187.5	15	15
65		200	185	145	8-ø18	202.5	16	18
80		200	200	160	8-ø18	220	19	20
100	1.6	250	220	180	8-ø18	230	23	25
125		250	250	210	8-ø18	270	27	29
150		300	285	240	8-ø22	302.5	33	36
200	1.0	350	340	295	8-ø22	352.5	51	49
250		400	395	350	12-ø22	407.5	70	70
300		500	445	400	12-ø22	460	102	100
350		500	505	460	16-ø22	517.5	123	121
400		600	565	515	16-ø26	572.5	147	145
450		600	615	565	20-ø26	622.5	212	207
500		600	670	620	20-ø26	675	229	210
600		600	780	725	20-ø30	745	252	250
700		700	895	840	24-ø30	892	352	350
800		800	1015	950	24-ø33	1002.5	462	460
900		900	1115	1050	28-ø33	1102.5	558	550
1000	0.6	1000	1175	1120	28-ø30	1182.5	690	680
1200		1200	1405	1340	32-ø33	1397.5	785	780
1400		1400	1630	1560	36-ø36	1610	1258	1250
1600		1600	1830	1760	40-ø36	1810		1550
1800		1800	2045	1970	44-ø39	2117.5		2080
2000		2000	2265	2180	48-ø42	2227.5		2600

