

## ELECTROMAGNETIC FLOW METER

### VA SERIES - THREAD TYPE

Flow Measurement  
& Monitoring



#### DESCRIPTION

The Electromagnetic Flowmeter highly reliable and performance to accurately measure the flowrate of liquids, paper pulp, slurry and mineral slurry which has an electrical conductivity greater than  $5 \mu S/cm$ . It is also easy changeover of integral and remote models.

VA Integral Type is a flow measurement system in a compact design which integrates the primary and signal converter.

VA Remote Type flow measurement system consists of a flowmeter primary and remote mounted converter with rugged sensor structure with SS316 body material and adapted for diameters of 10mm to 150mm. Widely used for public utilities, industrial water and ship building industry.

#### TECHNICAL FEATURES

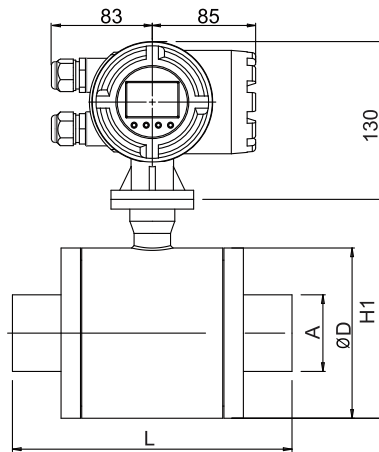
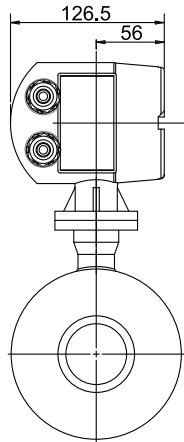
#### FEATURES

- ✓ Whole welded structure
- ✓ Good sealing performance
- ✓ Zero-point stability
- ✓ Small power consumption
- ✓ Simple and reliable, no moving parts inside; virtually no pressure loss
- ✓ Low-frequency square wave, anti-jamming performance
- ✓ User friendly, easy maintenance.

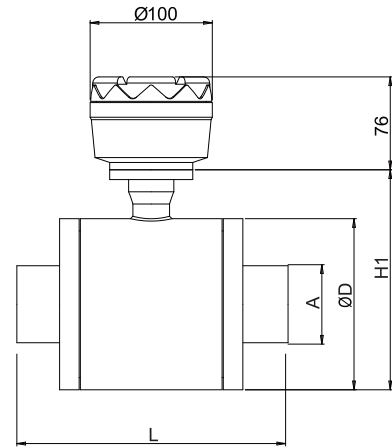
<b>Body Material</b>	SS316 / SS304
<b>Diameter</b>	DN10 - DN150
<b>Electrode</b>	316L / Hb / Hc / Ti / Ta / Pt
<b>Liner</b>	PTFE / PFA / F46
<b>Medium</b>	Conductive liquids
<b>Conductivity</b>	$\geq 5 \mu s/cm$ / Softened water $\geq 20 \mu s/cm$
<b>Accuracy</b>	$\pm 0.5\%$ M.V / $\pm 1.0\%$ M.V
<b>Op Temperature</b>	-20 to 80°C (Compact); -20 to 120°C (Remote)
<b>Op Pressure</b>	6 - 16 Bar (base on diameter)
<b>Protection class</b>	IP65 / IP67 / IP68 (Remote converter)
<b>Output</b>	4-20mA / Frequency / Pulse output signal
<b>Communication</b>	RS485 Modbus /HART (as option)
<b>Power supply</b>	220V AC / 24V DC
<b>Installation type</b>	Compact / Remote
<b>Connection</b>	Threaded type



**DIMENSION/DRAWING**



**Compact Type**



**Remote Type**

DN (mm)	L (mm)	D (mm)	H1 (mm)	A
10	190	91	130	BSP 3/8"
15	190	91	130	BSP 1/2"
20	190	91	130	BSP 3/4"
25	190	91	130	BSP 1"
32	200	105	145	BSP 1 1/4"
40	220	120	160	BSP 1 1/2"
50	230	140	180	BSP 2"
65	240	150	190	BSP 2 1/2"
80	250	160	200	BSP 3"
100	270	190	230	BSP 4"

