

ELECTROMAGNETIC FLOW METER

JA SERIES - CLAMP TYPE

Flow Measurement
& Monitoring



DESCRIPTION

The JA series electromagnetic flowmeter consists of grounding electrode where grounding rings is not required. It can be used to accurately measure the flowrate of liquid-solid two phase fluids, such as sewage, paper pulp, slurry and mineral slurry which has an electrical conductivity greater than 5 $\mu\text{s/cm}$. This type of flowmeter is practically unaffected by variation in temperature, viscosity, pressure and density. There is no pressure loss and no moving parts which will not cause additional energy losses or trapped with solid waste. With bi-directional feature, the flow indication and totalization in both directions is standard. A compact design integrates the converter and flow sensor while remote type comprises of remote mounted converter and flow sensor connecting with signal cable.

TECHNICAL FEATURES

Diameter	DN25 / DN32 / DN40 / DN50 / DN65 / DN80 / DN100
Electrode	Hastelloy C (option : SS316L / Hb / Ti / Pt / Ta)
Liner	PTFE
Body	Carbon steel (option : stainless steel)
Conductivity	$\geq 5 \mu\text{s/cm}$ / Softened water $\geq 20 \mu\text{s/cm}$
Accuracy	$\pm 0.5\%$ R.S
Op temperature	-20 to 80°C (Compact); -20 to 120°C (Remote)
Op pressure	10 Bar Max
Protection class	IP67 (compact) / IP68 (remote)
Output	4-20mA / Frequency / Pulse output signal
Communication	RS485 Modbus /HART (as option)
Power supply	220V AC / 24V DC
Connection	DIN wafer to suit PN10
Installation type	Vertical / Horizontal with full-bore flow condition
Converter type	Compact type (integral sensor) Remote type (Non-attached sensor)
Cable length	Remote converter with 10 meters cable (standard)

FEATURES

- ✓ Whole welded structure
- ✓ Good sealing performance
- ✓ Zero-point stability
- ✓ Small power consumption
- ✓ Simple and reliable, no moving parts inside; virtually no pressure loss
- ✓ Low-frequency square wave, anti-jamming performance
- ✓ User friendly, easy maintenance.
- ✓ SPAN approved product

I-SYSTEM MEASUREMENT
www.ismesb.com



ELECTROMAGNETIC FLOW METER
JA SERIES - CLAMP TYPE

09-2023

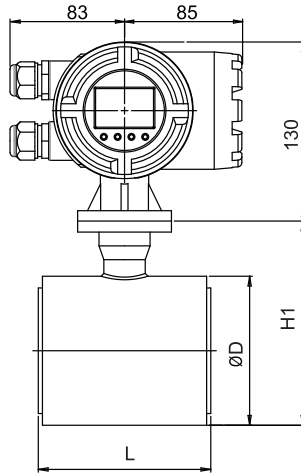
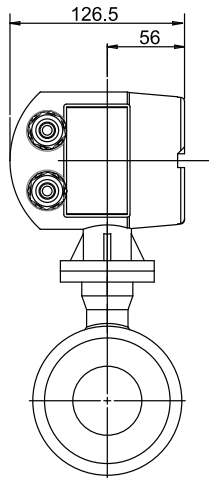
I-SYSTEM

101005

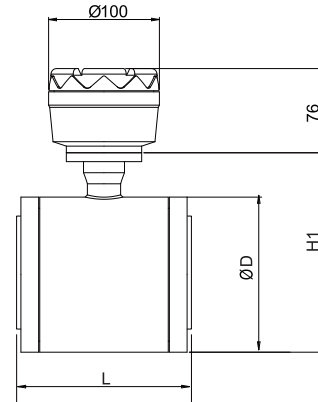
I-SYSTEM

101/005

DIMENSION/DRAWING



Compact Type



Remote Type

DN (mm)	L (mm)	D (mm)	H1 (mm)
25	90	72	112
32	90	82	122
40	90	92	132
50	125	108	148
65	125	128	168
80	130	142	182
100	160	162	202

