

ELECTROMAGNETIC FLOW METER

GA SERIES - HIGH PRESSURE TYPE

Flow Measurement

& Monitoring



DESCRIPTION

This GA series electromagnetic flowmeter consists of grounding electrode where grounding rings is not required. It can be used to accurately measure the flowrate of liquid-solid two phase fluids, which has an electrical conductivity greater than $5 \mu \text{ S/cm}$. The device is designed to measure applications with high operating pressure, in flange connection to suit PN26 standard.

With bi-directional feature, the flow indication and totalization in both directions is standard. A compact design integrates the converter and flow sensor while remote type comprises of remote mounted converter and flow sensor connecting with signal cable.

TECHNICAL FEATURES

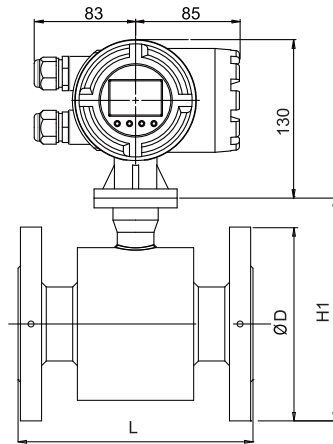
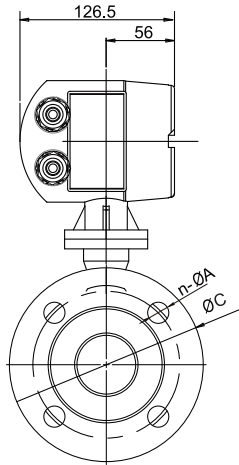
Diameter	DN15 to DN150
Electrode	SS316L / Hc / Hb / Ti / Pt / Ta
Liner	PTFE / F46 / PFA
Body	Carbon steel (option : stainless steel)
Conductivity	$\geq 5 \mu \text{ s/cm}$ / Softened water $\geq 20 \mu \text{ s/cm}$
Accuracy	$\pm 0.5\%$ R.S
Op temperature	-20 to 80°C (Compact) / -20 to 120°C (Remote)
Op pressure	250 Bar Max
Protection class	IP67 (compact) / IP68 (remote)
Output	4-20mA / Frequency / Pulse output signal
Communication	RS485 Modbus /HART (as option)
Power supply	220V AC (50/60Hz) / 24V DC
Connection	Flange to suit PN26
Installation type	Vertical / Horizontal with full-bore flow condition
Converter type	Compact type (integral sensor) Remote type (Non-attached sensor)
Cable length	Remote converter with 10 meters cable (standard)

FEATURES

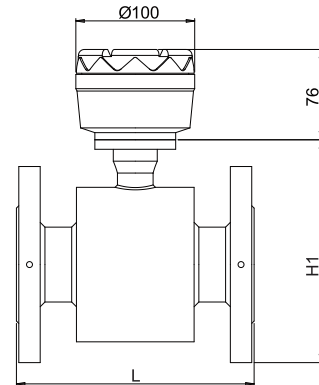
- ✓ Whole welded structure
- ✓ Good sealing performance
- ✓ Zero-point stability
- ✓ Small power consumption
- ✓ Simple and reliable, no moving parts inside; virtually no pressure loss
- ✓ Low-frequency square wave, anti-jamming performance
- ✓ User friendly, easy maintenance.



DIMENSION/DRAWING



Compact Type



Remote Type

DN (mm)	L (mm)	D (mm)	H1 (mm)	n-ØA
15	220	120	82.5	4-Ø22
20	220	130	89	4-Ø22
25	220	150	101.5	4-Ø24
32	220	160	111	4-Ø24
40	250	180	124	4-Ø27
50	250	215	165	8-Ø24
65	300	245	190	8-Ø27
80	350	265	203	8-Ø30
100	400	310	241.5	8-Ø33
125	450	375	292	8-Ø32
150	500	395	317.5	12-Ø36

